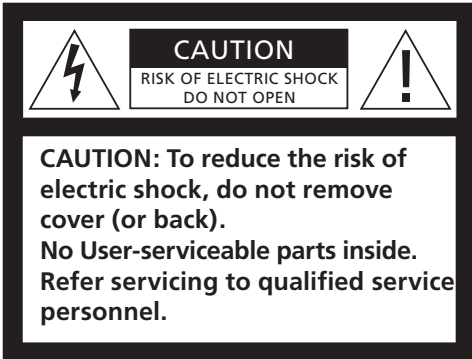


BeoLab 4

Guide



WARNING: To reduce the risk of fire or electric shock, do not expose this appliance to rain or moisture. Do not expose this equipment to dripping or splashing and ensure that no objects filled with liquids, such as vases, are placed on the equipment.

To completely disconnect this equipment from the AC Mains, disconnect the power supply cord plug from the AC receptacle.



The lightning flash with arrowhead symbol within an equilateral triangle, is intended to alert the user to the presence of un-insulated “dangerous voltage” within the product’s enclosure that may be of sufficient magnitude to constitute a risk of electric shock to persons.



The exclamation point within an equilateral triangle is intended to alert the user to the presence of important operating and maintenance (servicing) instructions in the literature accompanying the product.

When you have finished setting up the loudspeakers as described on the following pages, connect the entire system to the mains. The indicator lights turn red, to indicate that the loudspeakers are in standby mode, ready for use. The loudspeakers are designed to be left in standby mode when not in use.

Cleaning the loudspeaker

The speaker panels may be cleaned with a vacuum cleaner set to the lowest suction level. Clean the other surfaces using a soft, lint-free cloth which you have dipped in luke-warm water and wrung firmly.

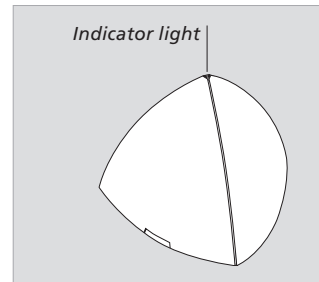
Never use alcohol or other solvents to clean any parts of the loudspeaker!

Switching on and off

When you switch on your system, the loudspeakers switch on simultaneously, and the indicator lights turn green.

When you switch off your audio (or video) system the indicator lights turn red.

However, if the loudspeakers are connected to a computer – via the LINE IN socket, and with the LINE IN switch set to PC – they will *not* switch to standby. Refer to 'Cable connections' (pp. 6–7).



Indicator light: *In daily use the indicator light shines either red (standby) or green (playing).*

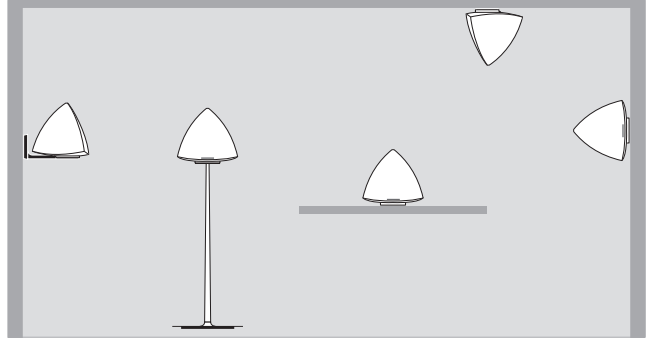
NOTE! Prolonged listening at high volume levels may cause hearing damage.

Set up the loudspeakers

We recommend that you follow this procedure:

- Disconnect your system from the mains.
- Connect the loudspeakers and set the LINE IN–POWER LINK switch on each loudspeaker as explained in 'Cable connections' (pp. 6–7).
- Set the POSITION switch to the correct setting on each loudspeaker. This is explained in 'Adapt the loudspeaker to your room' (pp. 8–10).
- Connect the entire system to the mains again.

The loudspeaker must be placed standing upright on its base, or fastened to one of the optional accessories. Make the connections, and set both switches before you fasten the loudspeaker to one of the accessories.



Cautions

- Make sure that the loudspeakers are placed and connected in accordance with the instructions in this Guide. To prevent injury, use Bang & Olufsen approved stands and wall brackets only!
- The loudspeaker can only be switched off completely by disconnecting it from the wall socket.
- Do not attempt to open the loudspeaker. Leave such operations to qualified service personnel! The speaker panels, however, may be removed for cleaning.
- The loudspeaker is designed for indoor use in dry, domestic environments only, and for use within a temperature range of 10–40° C (50–105° F).
- For optimum sound quality, do not place the loudspeaker enclosed in, for example, a small bookcase. Leave a minimum of 20 cm (8") free space at the sides, and never place anything directly in front of the loudspeaker.
- Do not block the sound emitting from the bass reflex port at the bottom of the loudspeaker.
- Place the loudspeaker with its front (the Bang & Olufsen name plate) facing your favourite listening position.

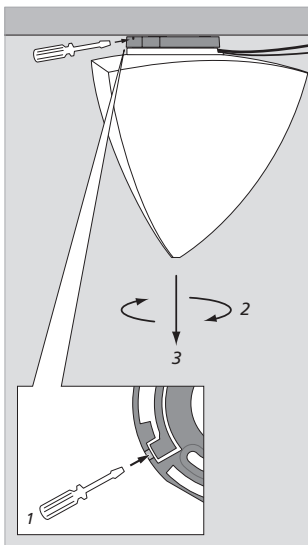
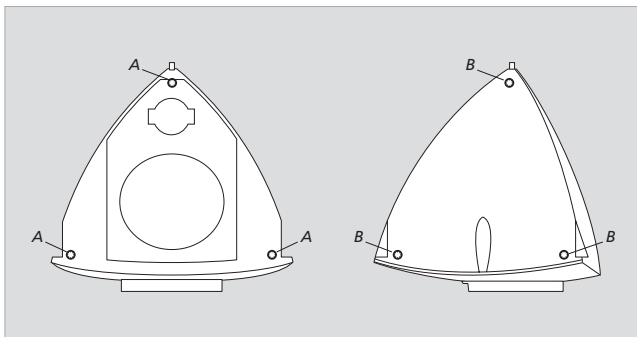
Loudspeaker front and side panels

With each loudspeaker you will get *one* front panel and *two* side panels. These panels must be fastened to the loudspeaker before use.

The front panel is marked with a Bang & Olufsen name plate. Each of the panels have three small pegs on the rear.

Fasten the panels by inserting the three pegs into the corresponding holes (A–B) in the front and the sides of the loudspeaker.

Note: The product identification and CE labels are placed on the loudspeaker body behind the side panels.

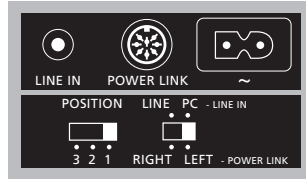


Ceiling Bracket: *This optional accessory has a hidden lock, which must be released before you can detach the loudspeaker from the ceiling.*

Use a small screwdriver, for example, to push the lock inwards, while turning the loudspeaker counter-clockwise until it is free.

Cable connections

The loudspeakers can be used with Bang & Olufsen audio, video and link systems. They may also be used with non-Bang & Olufsen audio or video systems, or connected to a computer.



The sockets and the two switches are located in the base of the loudspeaker.

About the two switches ...

The POSITION switch has three settings. Which setting to use depends on the position of the loudspeaker. This is explained in 'Adapt the loudspeaker to your room' (pp. 8–10).

The LINE IN–POWER LINK switch serves two purposes. If the loudspeaker is connected to the system via the LINE IN socket, it switches between two line input levels. If connected via the POWER LINK socket, it switches between the right and left sound channel.

Connection to Bang & Olufsen systems

Use Power Link cables to connect the loudspeakers to your system.

Set the POWER LINK switch to RIGHT or LEFT, the right and left sound channel, respectively.

Connection to non-Bang & Olufsen systems ...

... To audio or video systems

Connect the system to the LINE IN socket on each loudspeaker (mini-jack – mono).

Set the LINE IN switch to LINE.

... To a personal computer

Use a special connector to connect the computer sound card output to each of the LINE IN sockets on the loudspeakers (the connector is available as an optional accessory from your Bang & Olufsen retailer).

Set the LINE IN switch to PC.

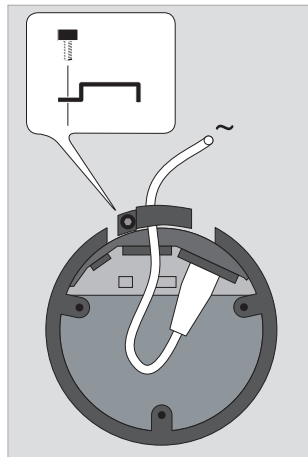
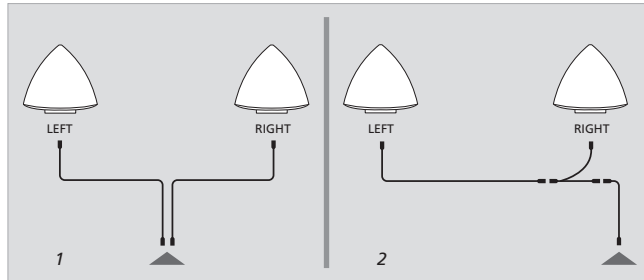
When set to PC, the loudspeakers will not automatically switch to standby mode when the sound signal disappears. In this case, we recommend that you switch off at the wall socket, when not using the computer.

Power Link connections: *These connections carry both the right and left sound signals. Therefore, you can:*

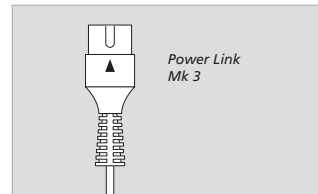
1 Run a Power Link cable from the Bang & Olufsen system directly to each loudspeaker.

Or

2 Use a Power Link adapter (optional accessory, available from your Bang & Olufsen retailer). Run a cable from the Bang & Olufsen system to the first loudspeaker, and then run another cable from the first loudspeaker to the next. This will often help to minimise cable clutter.



Cable Clamp: *For safety reasons, the mains lead must be secured to the loudspeaker with the cable clamp provided. The cable clamp holds both the mains lead and the loudspeaker cable.*



Power Link cables: *The Power Link cables must be of the new type (marked with a triangle on the plug). Do not use any old type Power Link cables, as this will cause noise, and thus not give optimum sound quality!*

Adapt the loudspeakers to your room

When a loudspeaker is placed in a corner, or close to a wall or ceiling, the bass level is boosted compared to the bass level achieved from a loudspeaker placed in a more free-standing position.

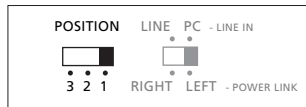
Use the POSITION switch to ensure that the bass level suits the placement of the loudspeaker. The appropriate switch setting depends on the distance from the loudspeaker to the walls, ceiling and corners of the room.

Use the guidelines mentioned here, and the illustrations on the next two pages, when deciding which of the three POSITION switch settings to select – on each loudspeaker.

... Placed on a floor stand

Use POSITION 1 if the loudspeaker is placed more than 50–70 cm (20–28") from a side wall (inside the light grey zone).

Use POSITION 3 if the loudspeaker is placed closer to a side wall (inside the darkest grey zone).



... Placed on the wall

Use POSITION 1 if the loudspeaker is placed more than 50–70 cm (20–28") from a side wall, and more than 50 cm (20") below the ceiling (inside the light grey zone).

Use POSITION 2 if the loudspeaker is placed less than 50 cm (20") below the ceiling (inside the darker grey zone).

Use POSITION 3 if the loudspeaker is placed inside the darkest grey zone.

... Placed on the ceiling

Use POSITION 1 if the loudspeaker is placed more than 50–70 cm (20–28") from a side wall, and more than 50 cm (20") from the rear wall (inside the light grey zone).

Use POSITION 2 if the loudspeaker is placed less than 50 cm (20") from the rear wall (inside the darker grey zone).

Use POSITION 3 if the loudspeaker is placed inside the darkest grey zone.

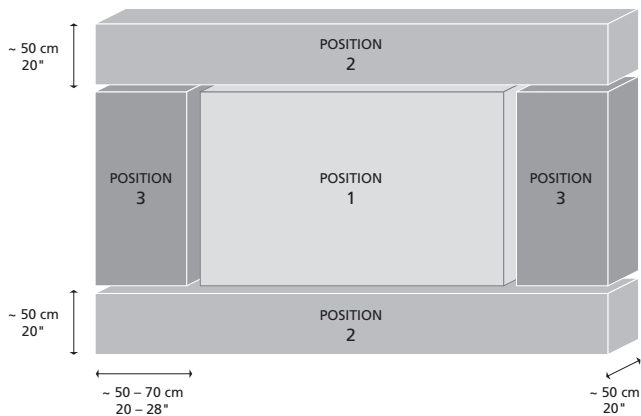
The POSITION switch is located below the socket panel.

... Standing on a table

Use POSITION 1 if the loudspeaker is placed more than 50–70 cm (20–28") from a side wall, and more than 50 cm (20") from the rear wall (inside the light grey zone).

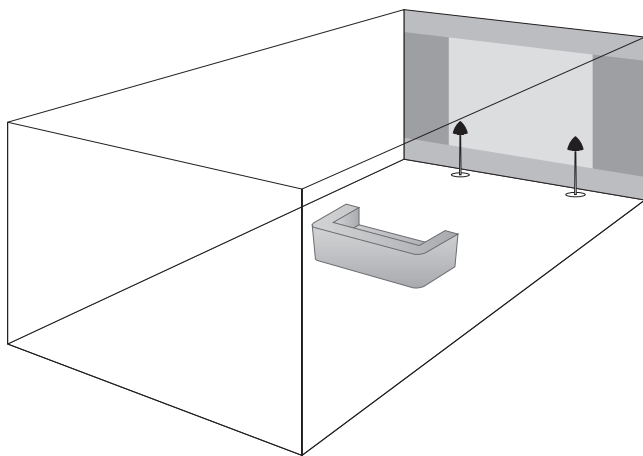
Use POSITION 2 if the loudspeaker is placed less than 50 cm (20") from the rear wall (inside the darker grey zone).

Use POSITION 3 if the loudspeaker is placed close to both the rear wall and a side wall (inside the darkest grey zone).



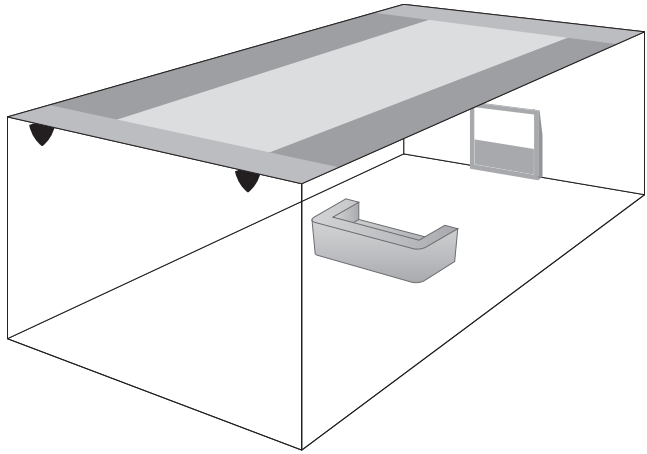
Position zones: The *POSITION* switch has three settings marked 1, 2, and 3. The settings corresponds to the position zones shown here.

The distances are meant as guide-lines, and you may, of course, set the *POSITION* switch to any of the three settings you prefer.



Example 1: This illustration shows the position zones projected onto the wall behind the loudspeakers, as seen from your favourite listening position. The two loudspeakers – on floor stands – are placed within position zone 1 (light grey zone), and therefore the *POSITION* switch should be set to 1 on both loudspeakers.

Example 2: This illustration shows the position zones projected onto the ceiling. The loudspeakers – on ceiling brackets – are placed within position zone 2 (darker grey zones), and therefore the POSITION switch should be set to 2 on both loudspeakers.




If you have a BeoLab 2 sub-woofer setup ...

As explained in the BeoLab 2 Guide, the subwoofer has a SETUP switch which can be set to 1, 2, or 3. This will adapt the output from BeoLab 2 to the sensitivity levels of different loudspeakers.

If you connect a pair of BeoLab 4 loudspeakers to the BeoLab 2 subwoofer, we recommend that you set the **BeoLab 2 SETUP** switch to position 2.

For the Canadian market only!

This class B digital apparatus meets all requirements of the Canadian Interference-Causing Equipment Regulations.

 This product fulfils the conditions stated in the EEU directives 89/336 and 73/23.

Technical specifications, features and the use thereof are subject to change without notice!

For the US-market only!

NOTE: This equipment has been tested and found to comply with the limits for a class B digital device, pursuant to part 15 of the FCC Rules. These limits are designed to provide reasonable protection against harmful interference in a residential installation.

This equipment generates, uses and can radiate radio frequency energy and, if not installed and used in accordance with the instructions, may cause harmful interference to radio communications. However, there is no guarantee that interference will not occur in a particular installation. If this equipment does cause harmful interference to radio or television reception, which can be determined by turning the equipment off and on, the user is encouraged to try to correct the interference by one or more of the following measures:

- Reorient or relocate the receiving antenna.
- Increase the separation between the equipment and receiver.
- Connect the equipment into an outlet on a circuit different from that to which the receiver is connected.
- Consult the retailer or an experienced radio/TV technician for help.

